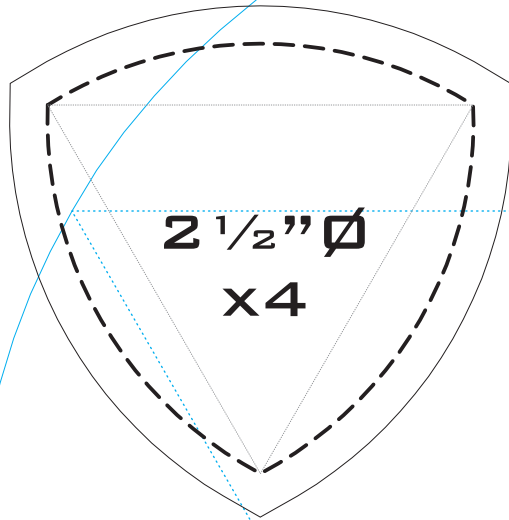


“POLYHEDRA” SERIES

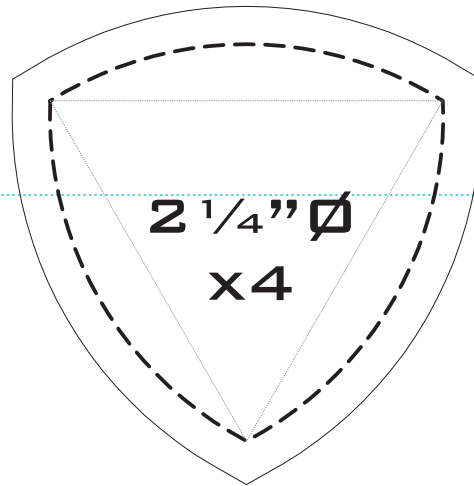


BY MARYLIS RAMOS

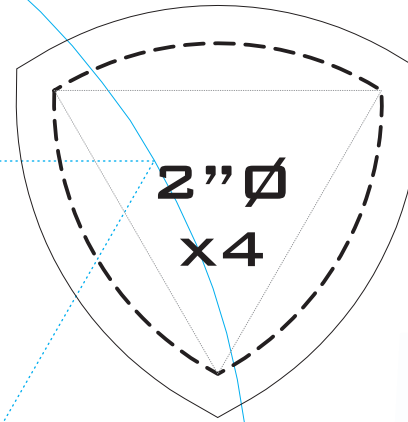
PINAYJUGGLER@HOTMAIL.COM



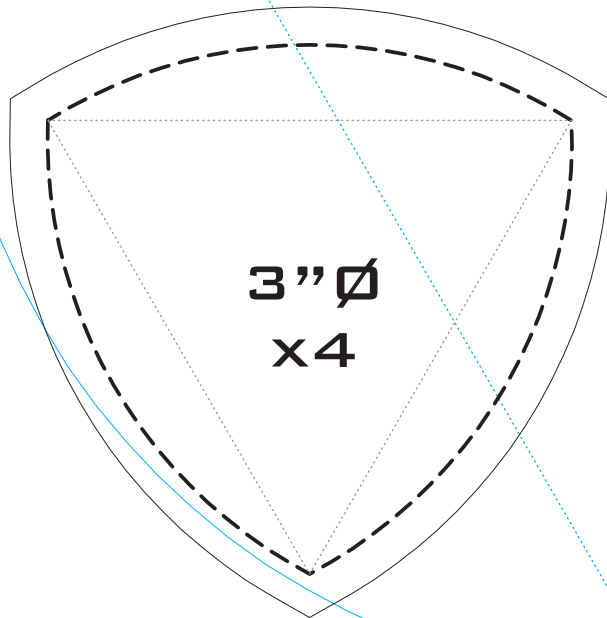
2 1/2" Ø
x4



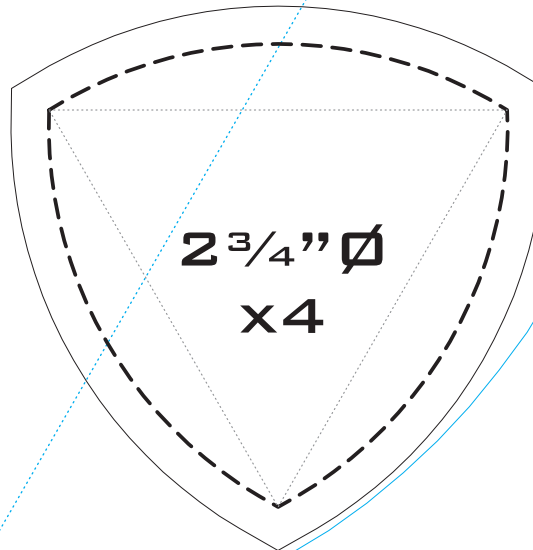
2 1/4" Ø
x4



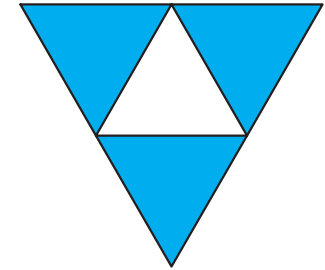
2" Ø
x4



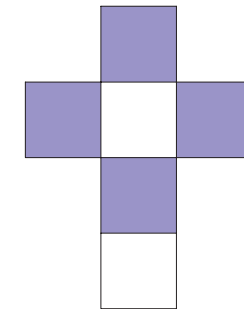
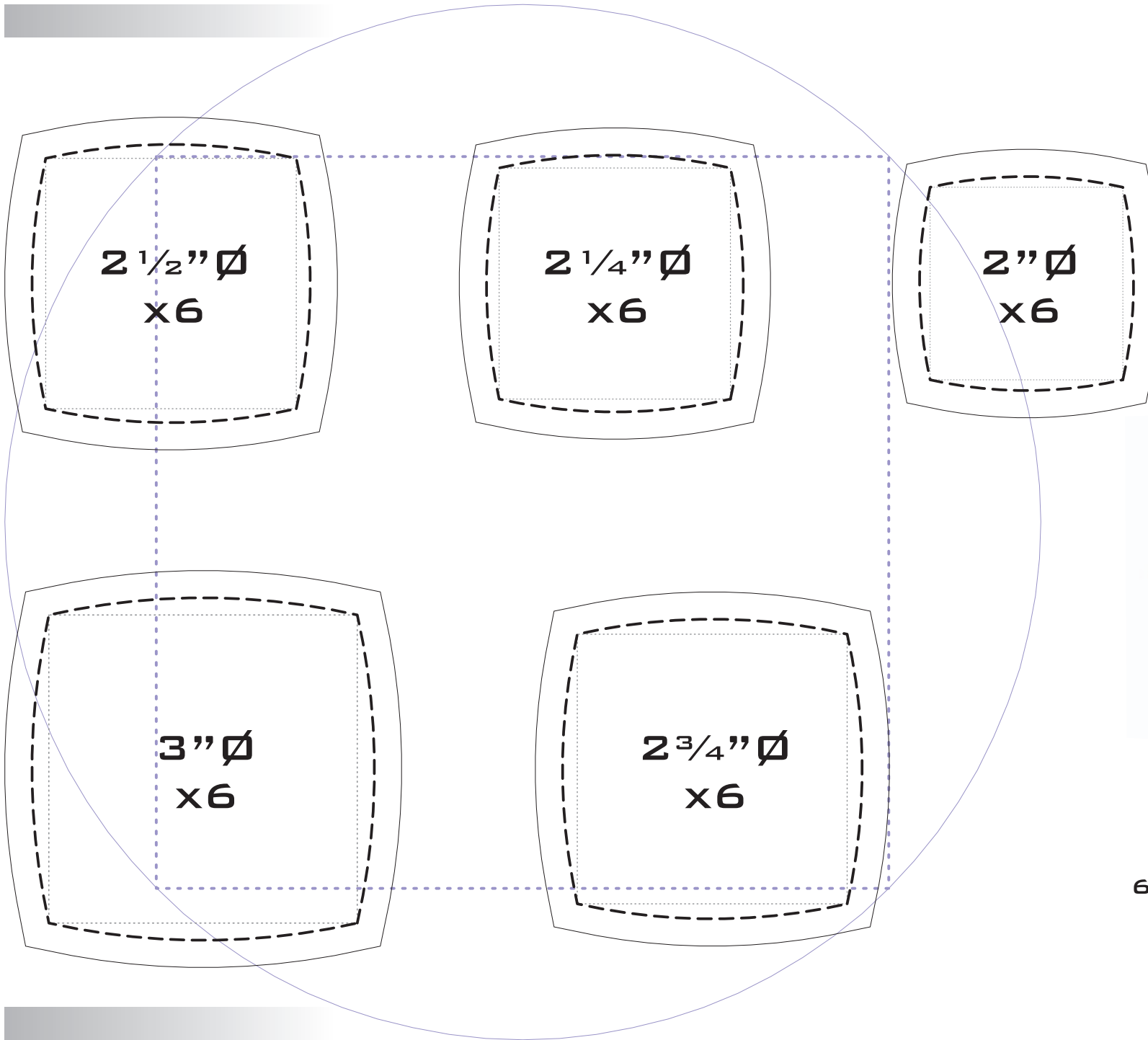
3" Ø
x4



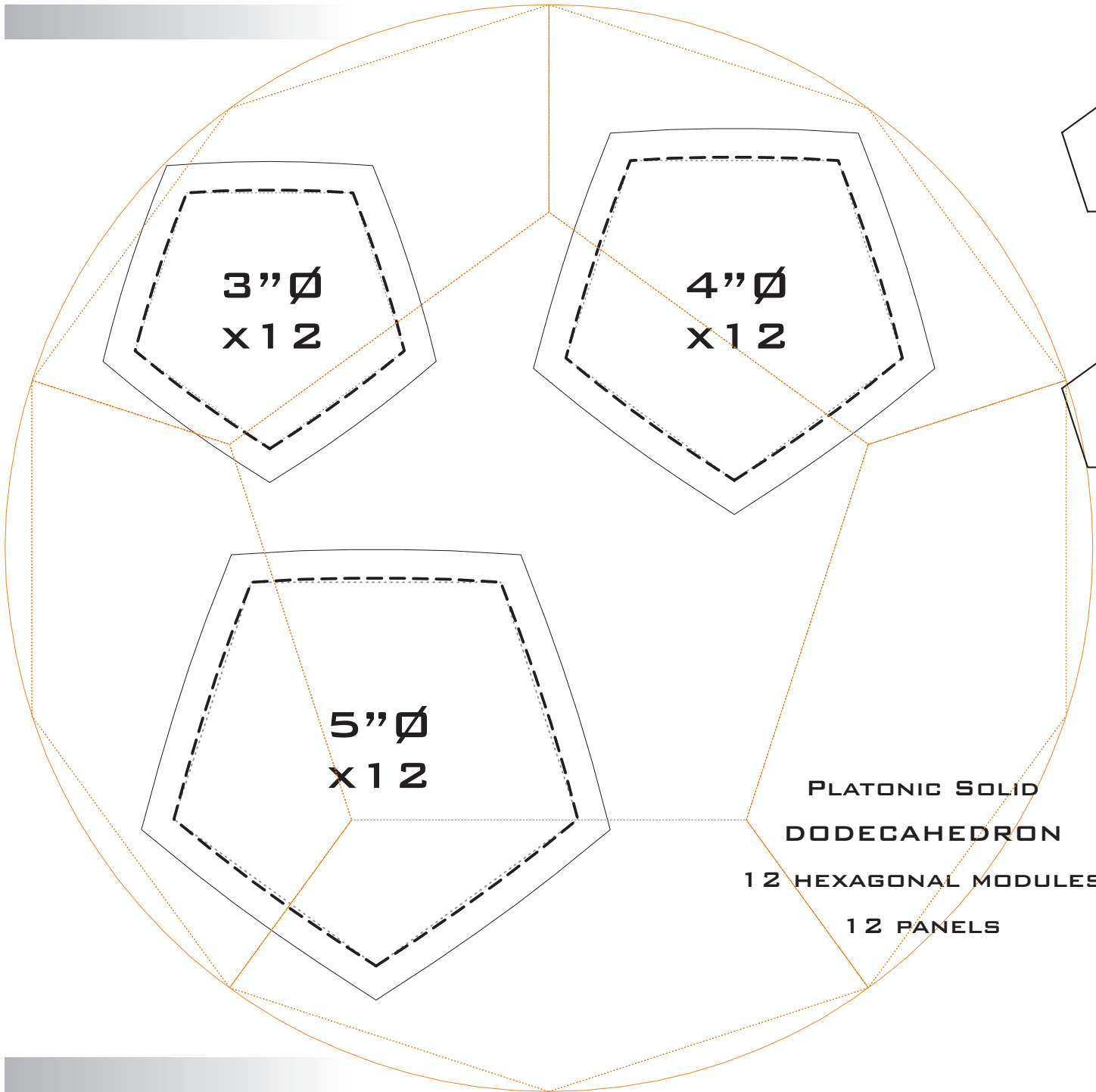
2 3/4" Ø
x4



PLATONIC SOLID
TETRAHEDRON
4 TRIANGULAR MODULES
4 PANELS



PLATONIC SOLID
CUBE
6 SQUARE MODULES
6 PANELS

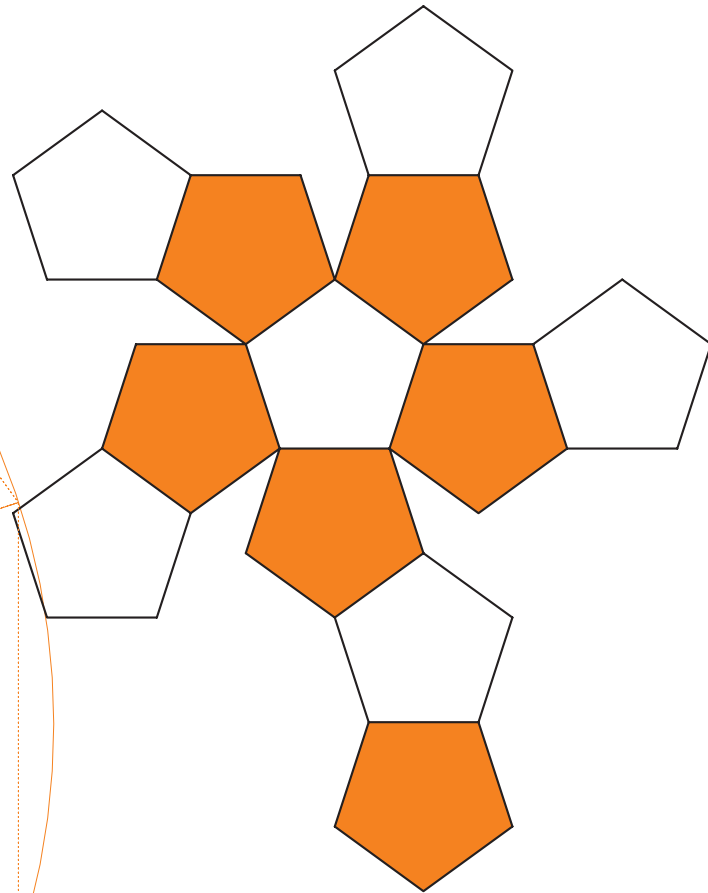


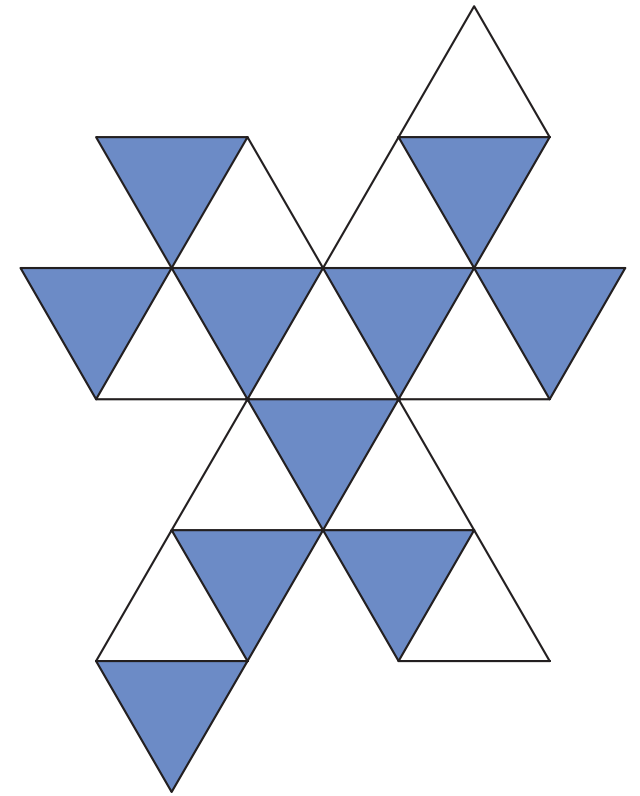
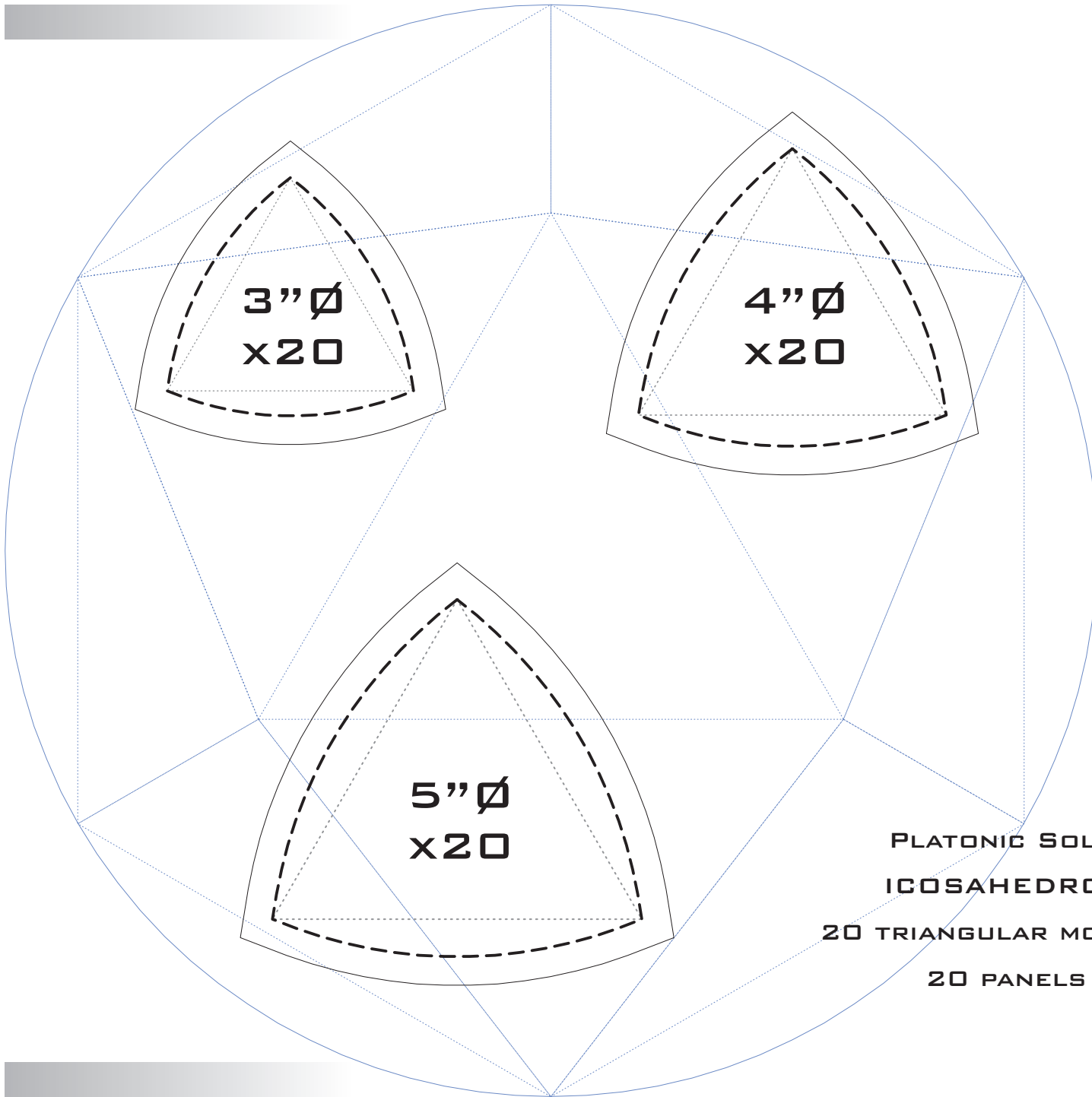
**3"Ø
x12**

**4"Ø
x12**

**5"Ø
x12**

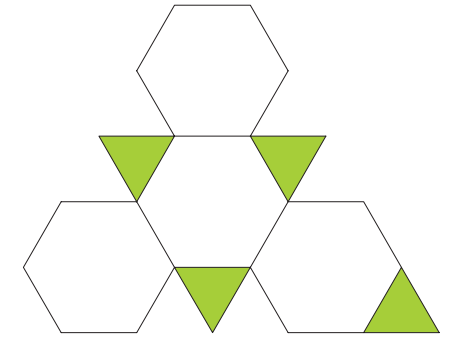
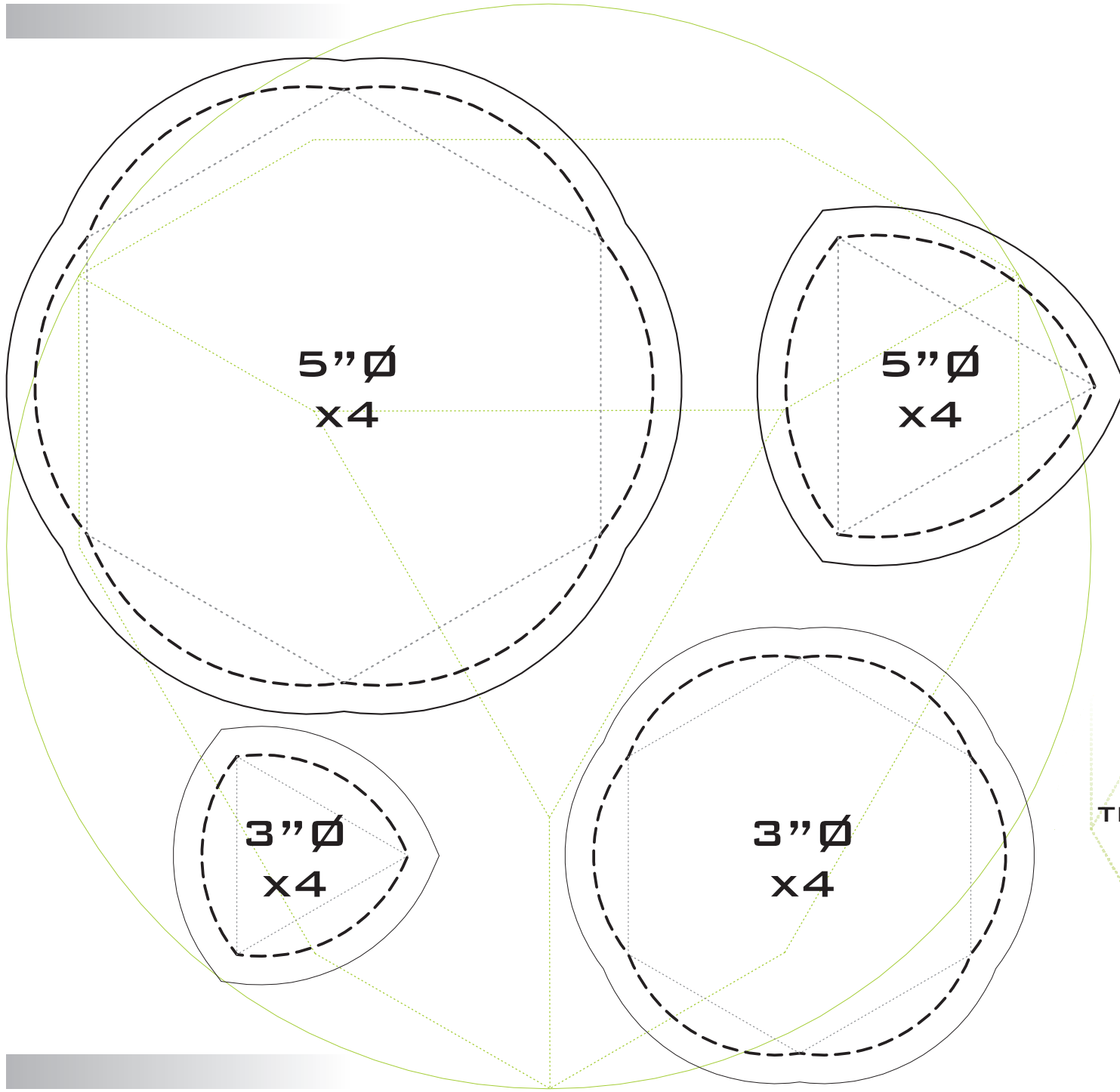
**PLATONIC SOLID
DODECAHEDRON
12 HEXAGONAL MODULES
12 PANELS**



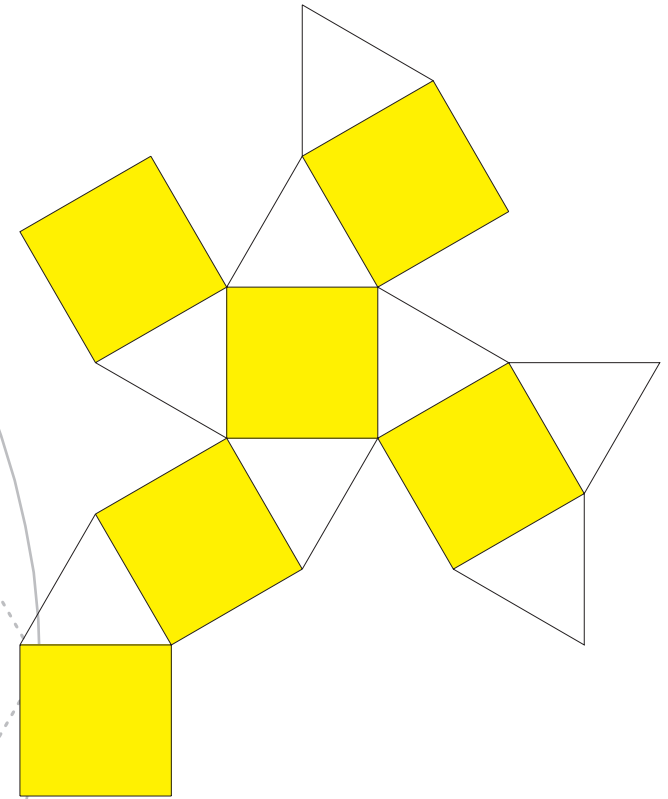
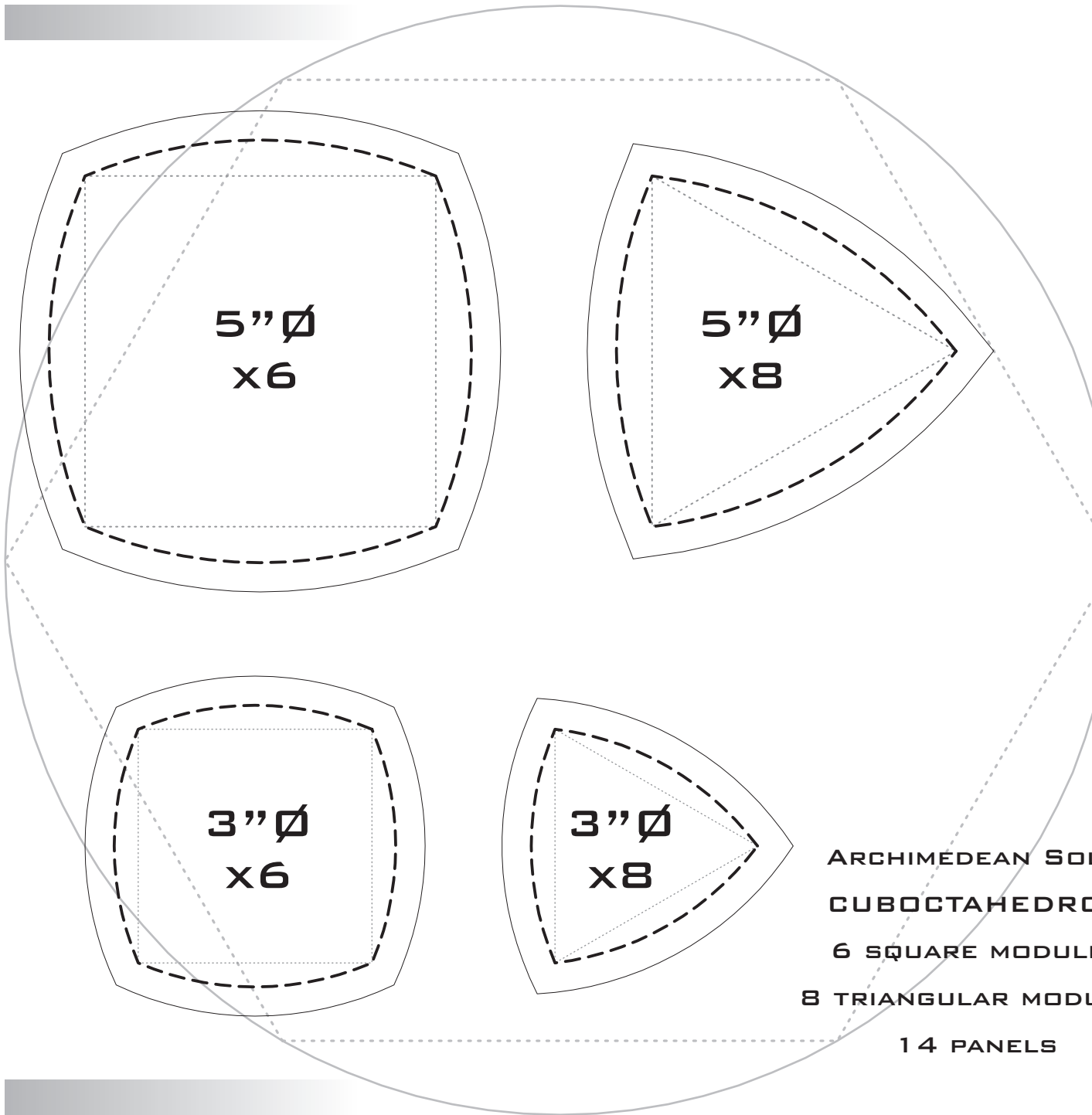


PLATONIC SOLID
ICOSAHEDRON
20 TRIANGULAR MODULES
20 PANELS





**ARCHIMEDEAN SOLID
TRUNCATED TETRAHEDRON
4 HEXAGONAL MODULES
4 TRIANGULAR MODULES
8 PANELS**



ARCHIMEDEAN SOLID
CUBOCTAHEDRON
6 SQUARE MODULES
8 TRIANGULAR MODULES
14 PANELS

